



Signal Hound designs and builds powerful, affordable spectrum analyzers and signal generators for engineers, operators and RF professionals around the globe.

EXTREMELY FAST SWITCH SPEEDS WITH DIRECT ACCESS TO SPIKE, ENABLING MULTI-BAND AND DIRECTION FINDING APPLICATIONS - RAPID AND RELIABLE.

The RFS44 is a single pole four throw (SP4T) absorptive solid-state switch using silicon-on-insulator (SOI) technology providing RF switching across four ports at up to 44 GHz. Switch from LF all the way through the Ka band and utilize this versatile tool in pseudo-doppler direction finding applications. With blazing fast switch speed, 3 ns rise/fall times, and direct access from Spike™, the RFS44 enables multi-band sweeping and direction finding to the SM200/435 product lines.

APPLICATIONS

- Automated Testing
- Multi-Band Sweep
- Direction Finding
- Antenna Polarization
- Satellite Communications
- Industrial Automation and Test
- Radar
- 5G Wireless

FEATURES

- 100 kHz to 44 GHz frequency range
- Switching from LF through Ka band
- Direct logic control
- 20 ns switch time
- Frequency or interval switching with supported hardware
- 3 ns rise/fall time



RFS44 4-Port Antenna Switch

April 2024

Production Specifications

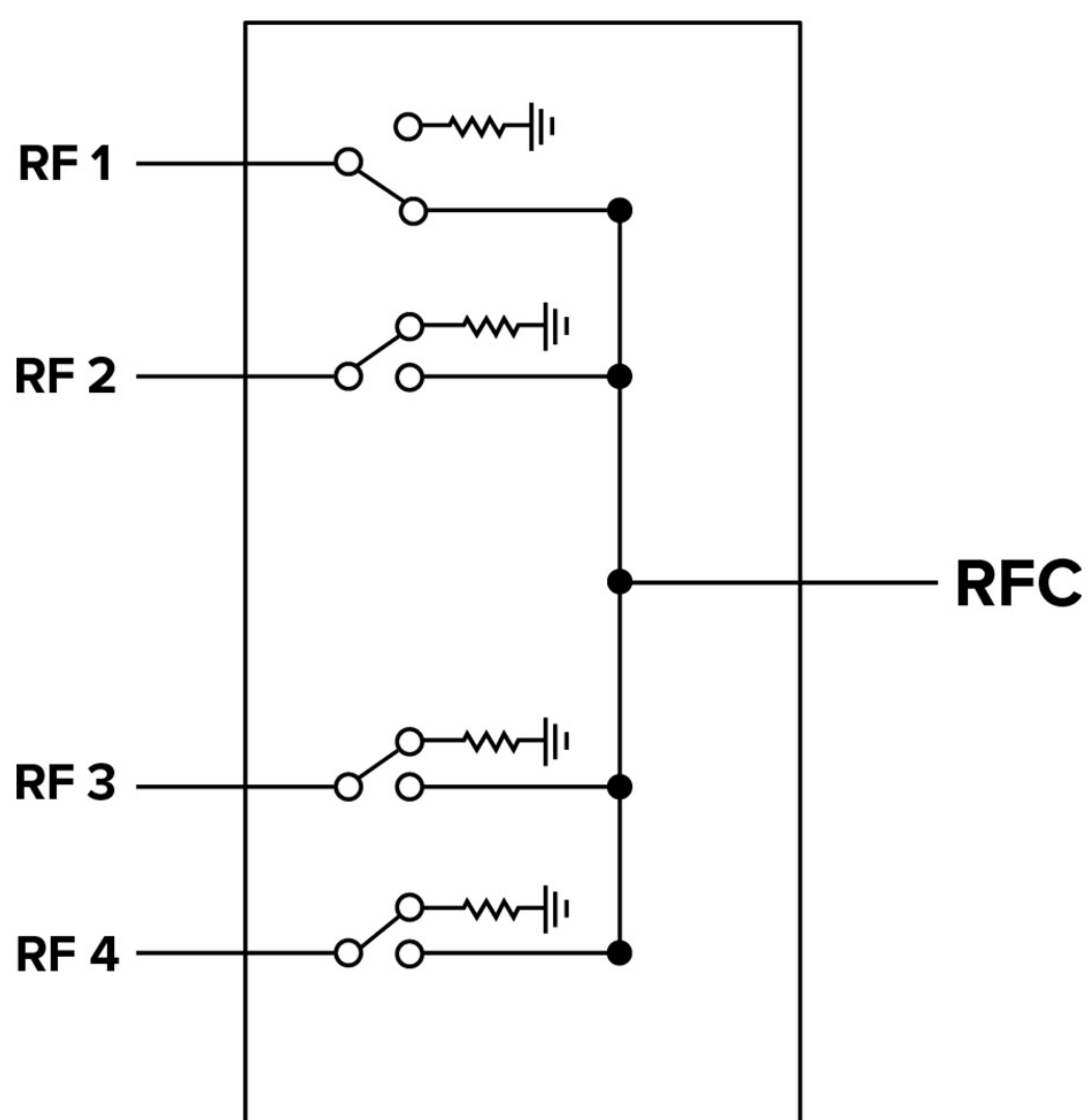
	MINIMUM	TYPICAL	MAXIMUM	UNITS
Frequency	0.0001		44	GHz
Impedance		50		Ohms
VSWR RFin		<2.0:1		
VSWR RFC		<3.0:1		
Isolation		>28		dB
Input Power >100 MHz			20	dBm
Input Power <100 MHz			10	dBm
Rise/Fall Times (10%/90%)		3		ns
DB15 on/off		20		ns
UART on/off		20		us
USB on/off		20		ms
ESD (HBM)	375			V
VIN RF1 - RF 4	-16		16	V
VIN, RFC	-0.2		0.2	V
Operating Temperature	• Standard -40°F to 185°F (-40°C to +85°C)			
Size and Weight	• 4.09" x 4.17" x 1.32" (104mm x 106mm x 34mm) • 8.9 oz. (0.25 kg)			
Power Consumption	• < 0.2W			
Connectivity	<ul style="list-style-type: none"> • Signal Hound Direct Connect to BB60D, SM200/435, or SP145 • Control over DB15, UART, or USB • Powered over USB 2.0 or DB15 			

Ordering Options

2.4mm (to 44 GHz) Standard

2.92mm (to 40 GHz) Optional

RFS44 Architecture



Signal Hound Direct Connect: RFS44 to SM200C

